

W/A Tee Install Guidance



1. Unpack your WalkAround Tee Top, being careful to preserve the original packing materials. If for any reason you decide not to keep your WalkAround Tee Top you will need them to return it.

Check the materials received against the packing list. Once you are sure everything is there, it's time to begin assembly

The WalkAround Tee Top has a top frame and four individual supporting legs which are adjustable for beam (width) dimension and fore and aft. As a result the WalkAround Tee Top can be installed in an infinite number of ways, even on the same make and model boat.

- 2. The best way to get started is to use some temporary wooden (2x4) supports to hold the top frame in the approximate position you would like it to be in the final installation. If your WalkAround Tee Top has the welded on rod holders (rocket launcher assembly) be care to plate the top high enough so that you have sufficient headroom (normally about 75" to 78") under the rod holders. In most cases you will want the forward edge of the WalkAround Tee Top to be directly over or a little behind your windshield. This will give your clear plastic enclosure (if you fit one) a pleasing angle.



- 3. Once you have the top frame in position, hold one of the aft legs up to the frame and determine the best location for the mounting pad (mounting pads come in 3-1/2" diameter (Kit #1) or 2" in diameter (Kit #6)). Your WalkAround Tee Top was shipped with the Kits which we believe are the best for your application, but we are always happy to exchange Kits if you would rather use another. It is best to install the aft mounting pads on a vertical or near vertical surface. It is possible to install them on a horizontal or flat deck, but it is not recommended. The supplied backing plates must be used on the aft mounts. If you cannot gain access to install the backing plates by removing existing covers, cabinets, etc. Cut a hole and install a cover plate or access port. Keep the legs as clear as possible of the seats, and the side walkaround.

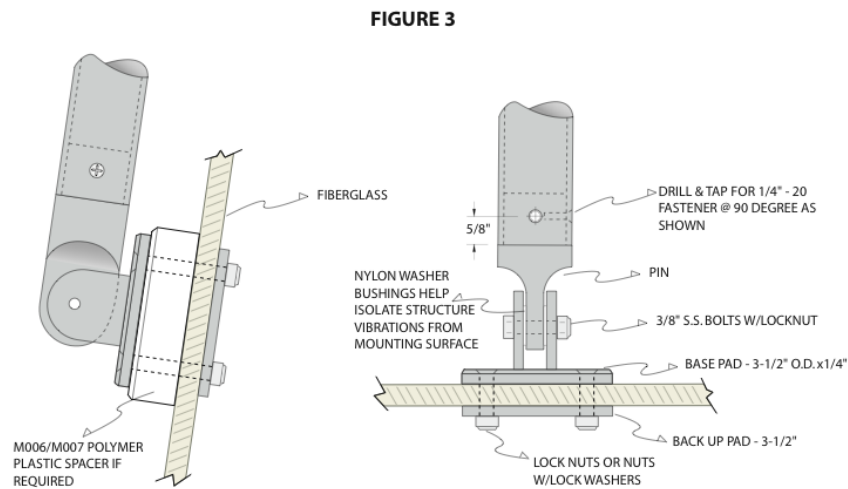
4. Next, hold up one of the forward legs in position, and determine if they will be outside or inside the windshield. In most cases, mounting them inside the windshield will minimize the possibility of interference if you fit a plastic enclosure. If you plan to fit a clear plastic enclosure and want to mount the forward leg bases outside the windshield, keep the forward legs as far outboard on the top frame as possible. There is a zipper sewn into your Sunbrella fabric top, for attaching the plastic enclosure. To minimize the possibility of interference, keep the forward leg as clear as possible of the zipper location



- Petroleum jelly on the allen bolts will make them easy to install and remove for adjustments. When you have the top in position you may then put some thread locker such as Loctite on the screws



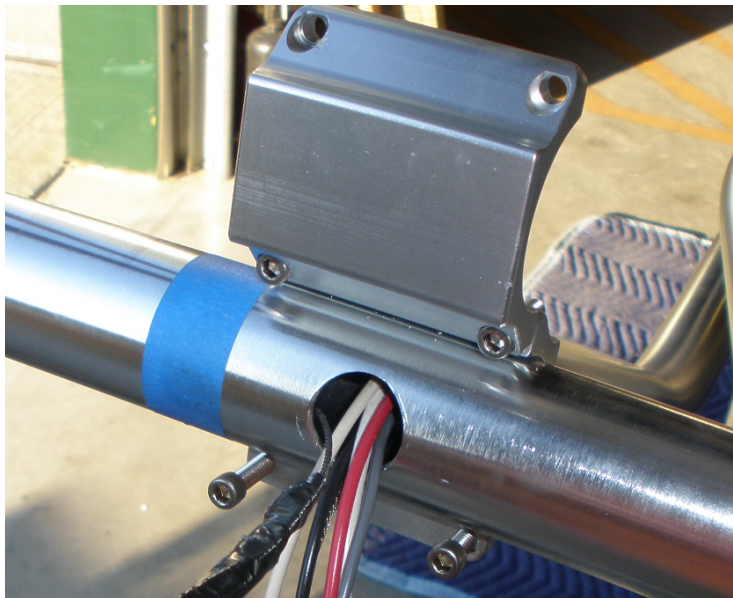
While a thru bolt with a backing plate is the best way to mount a fitting on your boat, access may be more difficult to install a backing plate on the forward legs. If you cannot gain access, you may install forward using the “Glue and Screw” method. (See attached instruction sheet)



5. You may find that adjusting the overall height of the top and/or it's fore and aft position helps you in finding the best position for the forward and aft legs. The clamps on the legs, may be tightened or moved as necessary for the best fit and position. Tightening the clamps will not mar the anodized finish, they may be adjusted or moved as often as you want during the installation process.

6. After you have determined the location of the mounting pads, cut the legs to the correct length. We suggest that you Dry fit all of your components before using the supplied MarineTex epoxy to permanently install the M100 pins (see separate instructions

for installing M100



- 7. Once you have the framework permanently installed, you are ready to lace on the Sunbrella Top. If you are mounting lights, antennas or other electrical equipment on your WalkAround Tee Top, we suggest you do it before lacing on the Sunbrella Top. The frame and legs of your WalkAround Tee Top are hollow, and by drilling entrance and exit holes all of your wiring can be concealed in side the Frame. (see the separate instruction sheet for lacing on your Sunbrella Fabric top)

8. Because the WalkAround Tee Top system is very flexible, installation normally requires some “Backyard engineering?”. If you have questions or want recommendations we are happy to help, just email or call our 800 #. If you have a digital camera, pictures are extremely helpful. If we can see what you are asking about, we can provide you with the best answers.